



3 YEAR
WARRANTY

Express

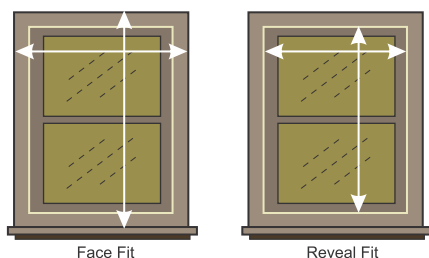
Cellular Shades

EXPRESS CELLULAR SHADES

CORDED : 38mm Single cell
 CORDLESS : 38mm Single cell

STANDARD DEDUCTIONS (Factory makes all deductions unless otherwise specified)

- Reveal fit
 Width deduction -9mm
- Face fit
 Width deduction 0mm
- Multiple blinds
 In reveal use standard deduction per blind



LIMITATIONS

CORDED

- Maximum width is 3000mm
- Maximum drop is 3600mm
- Minimum width is 200mm
- Maximum area is 10.8m²

CORDLESS

- Maximum width is 2440mm
- Maximum drop is 2100mm
- Minimum width is 250mm
- Maximum area is 5.2m²

BLIND STACK WHEN RAISED

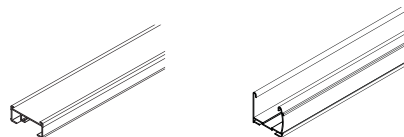
Cellular shades fold (stack) flat when raised. As a guide the approximate stack of the blind in the raised position will be:

- Corded 750mm blind drop has a stack of approximately 60mm
- Cordless 750mm blind drop has a stack of approximately 65mm

GAP BETWEEN BUTTING BLINDS

Cellular fabric cut width = track width. This means the gap between butting blinds when the blinds are down is only 4mm, the calculation of both end caps.

HEAD-RAIL



Corded
 40mm x 17mm
 Aluminium

Cordless
 45mm x 39mm
 Aluminium

BOTTOM-RAIL



Corded
 41mm x 17mm
 Aluminium

Cordless
 41mm x 17mm
 Aluminium

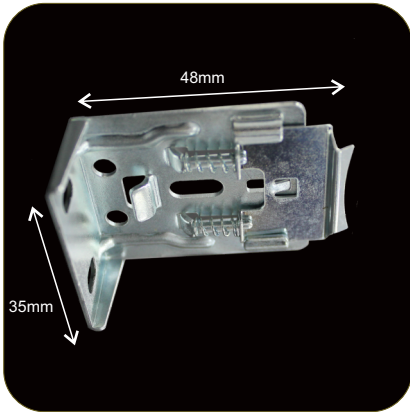
CELL COLOURS

Opaque (Blockout)	Semi Opaque (Translucent)	Head-rail	Bottom-rail
Cotton	Cotton	White	White
Alabaster	Alabaster	Alabaster	Alabaster
Fawn	Fawn	Fawn	Fawn
Grey Sheen	Grey Sheen	Grey Sheen	Grey Sheen

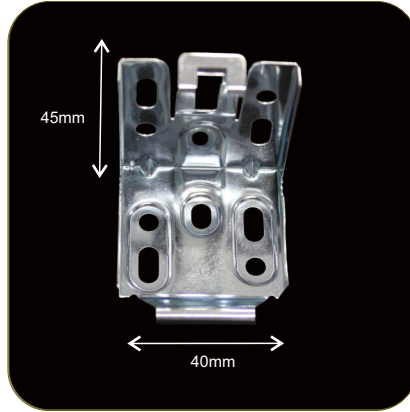
FEATURES

- Cellular structure creates a thermal barrier between the room and window to provide better insulating properties.
- Better insulating properties translates to better heating and cooling efficiency to assist in keeping energy costs down.
- Stylish minimalist look for today's trends.
- Minimal light gaps on a reveal fit blind.

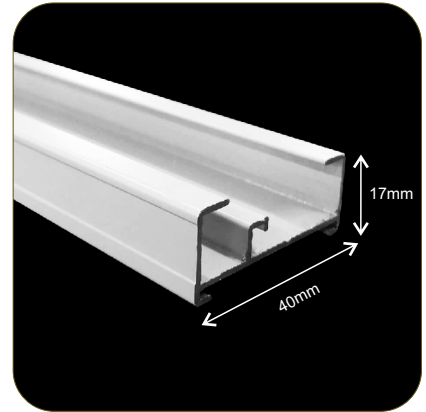
CELLULAR SHADE COMPONENTS



Corded Bracket



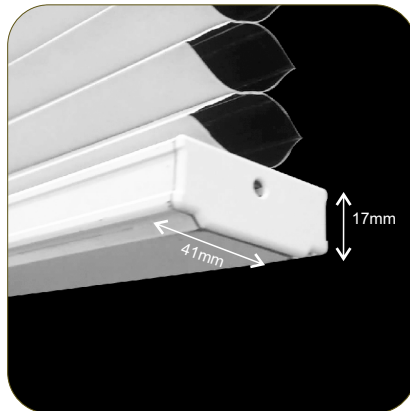
Cordless Bracket



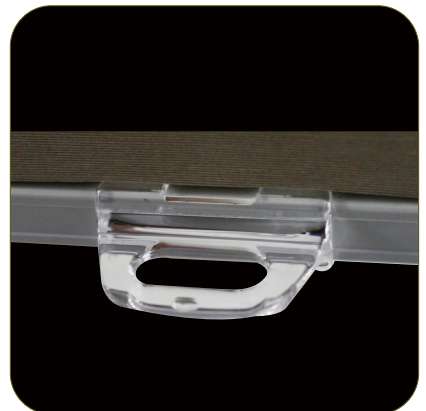
Corded Head-rail



Cordless Head-rail



Bottom-rail
for Corded & Cordless



Cordless bottom handle



Breakaway tassel



Tie-off Cleat
(child safety requirement)



Hold down clips

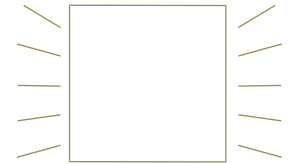
ACCEPTABLE STANDARDS

The acceptable standard for imperfections (marks, dots etc.) is:

- If it is not visible to the naked eye in natural light, at a distance of 1.2m it is acceptable

LIGHT BLEED

All blinds allow light to pass through around the sides of the blind. Consider using face fit as an option rather than reveal fit to reduce light bleed at the sides.



DROP ADJUSTMENT

- Expect a settling drop of approx. 15 - 20mm depending on drop.
- Blinds are cut shorter to allow for settling drop

GENERAL MAINTENANCE & CLEANING

To care for your shades, use any of the following options:

- Dusting – regularly dust the shades with a duster. In most situations this is the only cleaning method needed.
- Vacuuming – Use a hand held vacuum to remove dust. Use a low suction setting with the appropriate brush attachment.
- Ultrasonic Cleaning – Your shades can be professionally cleaned ultrasonically. Specify that a mild solution must be used & the head-rail should never be immersed. Re-install the shade & allow the fabric to dry in its completely lowered position.
- We recommend that you NEVER immerse your blinds in water, as this can affect the fabric adversely. With regular maintenance your blinds should look like new for many years to come.

